



polytec

Product Guide

Mirror Panels

Effective 27th March, 2026

polytec.com.au

Mirror Panels

polytec's latest Mirror Panels products are made from 16mm particleboard substrate with 4mm glass, available in White and Black Matt options. **polytec's** Mirror Panels are available with a standard annealed mirror, and smokey mirror options.

Current edgetape options include black and white, with contrast edging available at an additional cost. Hinge holing and wall fixing rebate are available for all Mirror Panels, no minimum quantity with all requests available to be quoted.

The Mirror Panels are available for use as an independent mirror, shaver cabinet, wall panelling and ceiling panels applications.

Features:

- Residential and commercial applications
- No minimum order quantity
- Available with hinge holes and wall fixing rebate



Optional Wall Fixing Rebate

Cross Routing

Groove Width: 7mm

Overall Cross Size: 37mm

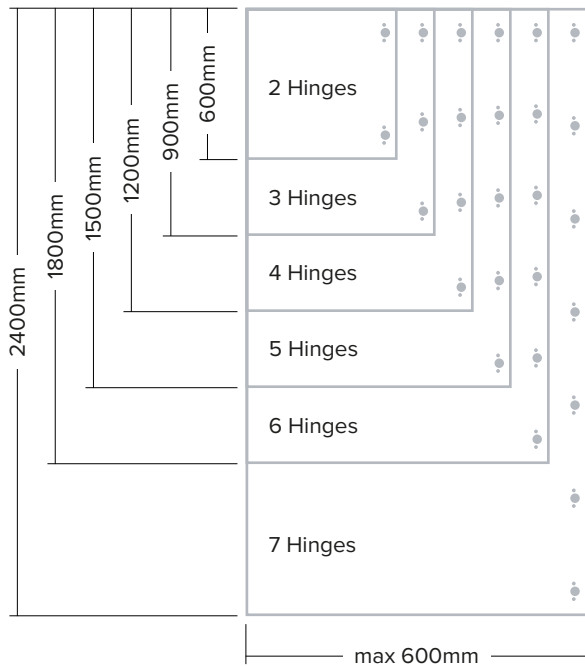
Depth: 10mm

Positioning: Centre of routing positioned
50mm from edges

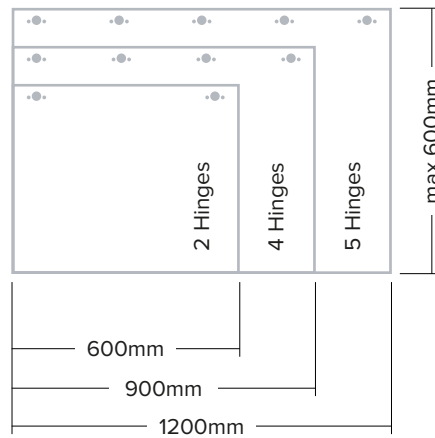
Mirror Panels | Additional Fabrication Options

Hinge Holes

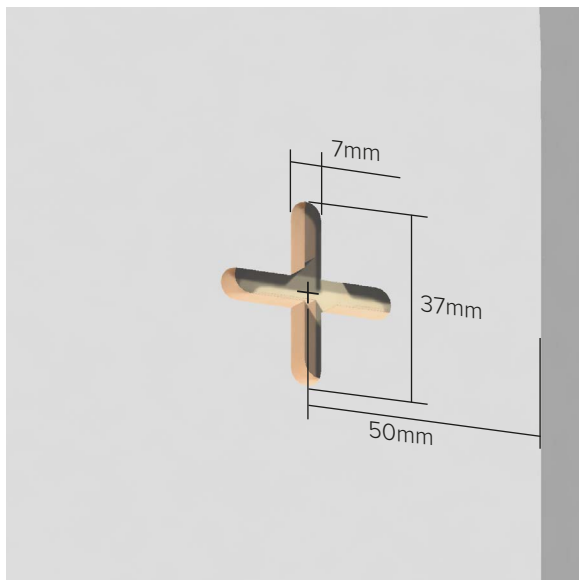
Vertical



Horizontal



Wall Fixing Rebate Cross Routing



Details

Fixing Type:

Cross Routing

Groove Width:

7mm

Overall Cross Size:

37mm

Depth:

10mm

Positioning:

Centre of routing positioned 50mm from edges